

Dokumentation

***Einschraubwinkel mit Innen- und
Außengewinde (gegossen), bis 25 bar
- Typ WE ... ES E, WE ... ES,
WE ... ST, WE ...ES NPT -***



1. Inhalt

- 2. Artikelnummern und technische Daten 1
- 3. Abmessungen 1

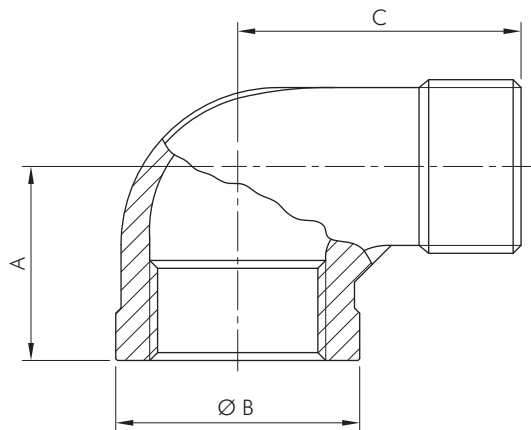
2. Artikelnummern und technische Daten

Einschraubwinkel 90° mit Innen- & Außengewinde (gegossen)				bis 25 bar		
Typ 10 bar 1.4408	Typ 16 bar 1.4408	Typ 25 bar Temperg. verz.	Gewinde außen	Gewinde innen	Typ 16 bar 1.4408	Gewinde außen/innen
WE 18 ES E	WE 18 ES	WE 18 ST	R 1/8"	Rp 1/8"	WE 18 ES NPT	NPT 1/8"
WE 14 ES E	WE 14 ES	WE 14 ST	R 1/4"	Rp 1/4"	WE 14 ES NPT	NPT 1/4"
WE 38 ES E	WE 38 ES	WE 38 ST	R 3/8"	Rp 3/8"	WE 38 ES NPT	NPT 3/8"
WE 12 ES E	WE 12 ES	WE 12 ST	R 1/2"	Rp 1/2"	WE 12 ES NPT	NPT 1/2"
WE 34 ES E	WE 34 ES	WE 34 ST	R 3/4"	Rp 3/4"	WE 34 ES NPT	NPT 3/4"
WE 10 ES E	WE 10 ES	WE 10 ST	R 1"	Rp 1"	WE 10 ES NPT	NPT 1"
WE 114 ES E	WE 114 ES	WE 114 ST	R 1 1/4"	Rp 1 1/4"	WE 114 ES NPT	NPT 1 1/4"
WE 112 ES E	WE 112 ES	WE 112 ST	R 1 1/2"	Rp 1 1/2"	WE 112 ES NPT	NPT 1 1/2"
WE 20 ES E	WE 20 ES	WE 20 ST	R 2"	Rp 2"	WE 20 ES NPT	NPT 2"
---	WE 212 ES	WE 212 ST	R 2 1/2"	Rp 2 1/2"	---	---
---	WE 30 ES	WE 30 ST	R 3"	Rp 3"	---	---
---	WE 40 ES	WE 40 ST	R 4"	Rp 4"	---	---



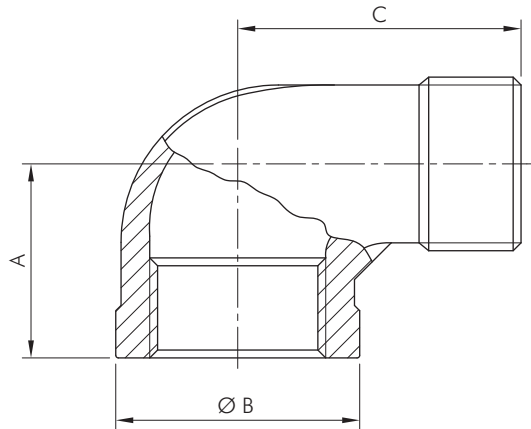
3. Abmessungen

WE ... ES E



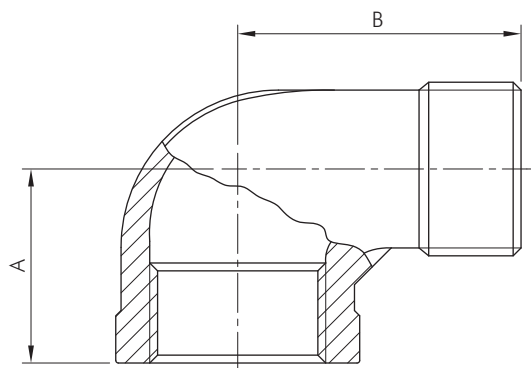
Typ 10 bar 1.4408	Gewinde außen	Gewinde innen	A	B	C
WE 18 ES E	R 1/8"	Rp 1/8"	19,0	13,9	26,5
WE 14 ES E	R 1/4"	Rp 1/4"	21,5	17,2	30,8
WE 38 ES E	R 3/8"	Rp 3/8"	24,5	20,9	36,5
WE 12 ES E	R 1/2"	Rp 1/2"	29,0	24,9	41,0
WE 34 ES E	R 3/4"	Rp 3/4"	33,5	31,2	48,0
WE 10 ES E	R 1"	Rp 1"	37,0	38,1	55,0
WE 114 ES E	R 1 1/4"	Rp 1 1/4"	43,0	47,4	62,0
WE 112 ES E	R 1 1/2"	Rp 1 1/2"	47,0	54,1	67,0
WE 20 ES E	R 2"	Rp 2"	57,5	66,6	77,5

WE ... ES



Typ 16 bar 1.4408	Gewinde außen	Gewinde innen	A	B	C
WE 18 ES	R 1/8"	Rp 1/8"	19,0	15,0	26,5
WE 14 ES	R 1/4"	Rp 1/4"	21,5	20,5	30,8
WE 38 ES	R 3/8"	Rp 3/8"	24,5	24,0	36,5
WE 12 ES	R 1/2"	Rp 1/2"	29,0	28,4	41,0
WE 34 ES	R 3/4"	Rp 3/4"	33,5	34,3	48,0
WE 10 ES	R 1"	Rp 1"	37,0	41,0	55,0
WE 114 ES	R 1 1/4"	Rp 1 1/4"	43,0	51,0	62,0
WE 112 ES	R 1 1/2"	Rp 1 1/2"	47,0	56,5	67,0
WE 20 ES	R 2"	Rp 2"	57,5	69,5	77,5
WE 212 ES	R 2 1/2"	Rp 2 1/2"	66,0	87,4	93,0
WE 30 ES	R 3"	Rp 3"	74,0	101,8	107,0
WE 40 ES	R 4"	Rp 4"	90,0	128,0	130,0

WE ... ST



Typ 25 bar Temperg. verz.	Gewinde außen	Gewinde innen	A	B
WE 112 ST	R 1 1/2"	Rp 1 1/2"	50,0	65,0
WE 20 ST	R 2"	Rp 2"	58,0	74,0
WE 212 ST	R 2 1/2"	Rp 2 1/2"	69,0	88,0
WE 30 ST	R 3"	Rp 3"	78,0	98,0